



TourGuide Handlebar Bag



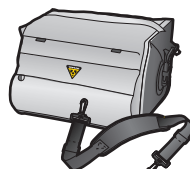
TourGuide Handlebar Bag DX



Compact Handlebar Bag

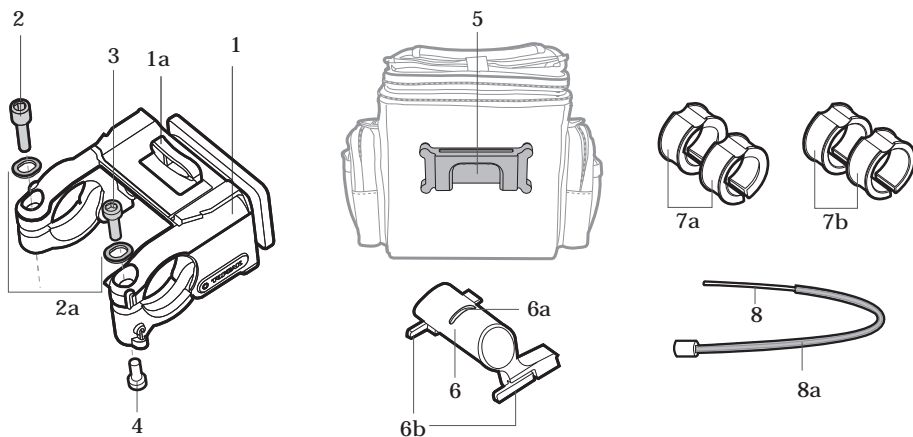


BarPack



Handlebar DryBag

MOUNTING INSTRUCTIONS



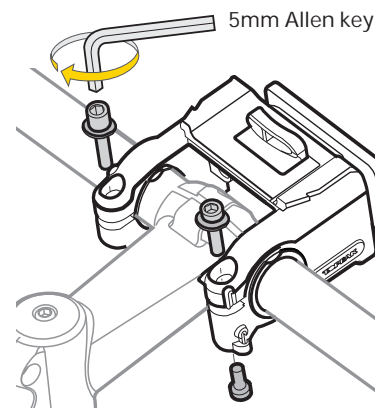
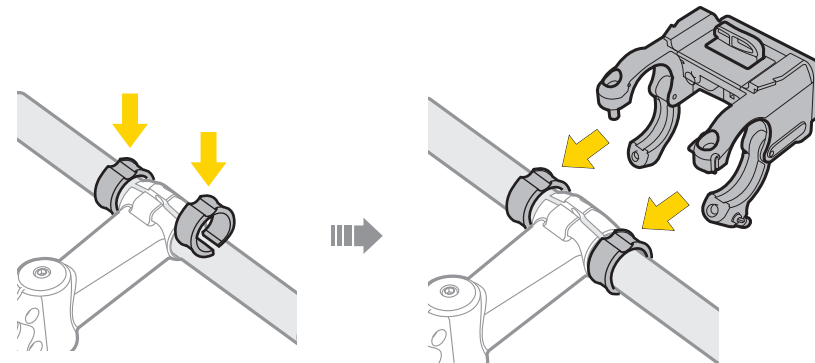
DETAILED PARTS DESCRIPTION

- | | |
|-----------------------------|--|
| Handlebar Bag Fixer | 6. Computer Clip |
| 1. HB Fixer A | 6a. Thread hole |
| 1a. HB Fixer Release Button | 6b. Computer Clip Release Tab |
| 2. M5 x 20mm Bolt | 7. Rubber Sizing Pad |
| 2a. Washer x2 | 7a. $\varnothing 25.4$ (for normal size h/bar) |
| 3. M5 x 18mm Bolt | 7b. $\varnothing 28.6$ (for oversize h/bar) |
| 4. M5 x 12mm Bolt | 8. Security Cable |
| 5. HB Fixer B | 8a. cable housing |

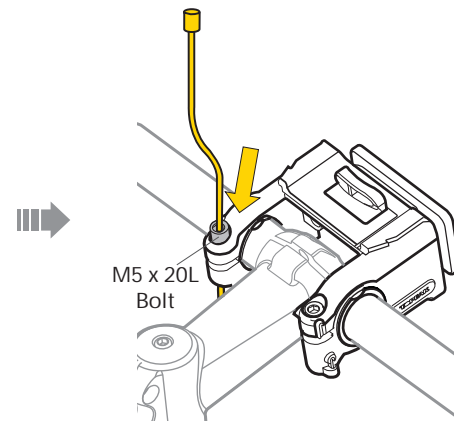
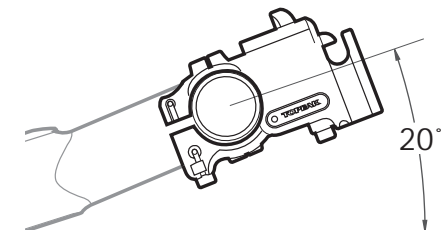
* Not needed if handlebar diameter is 31.8mm.

Mount Handlebar Fixer on Handlebar

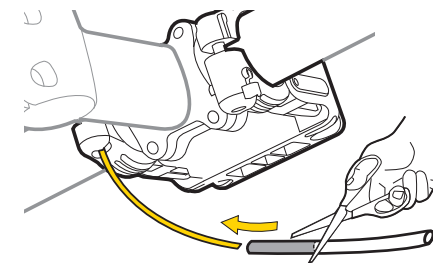
GB



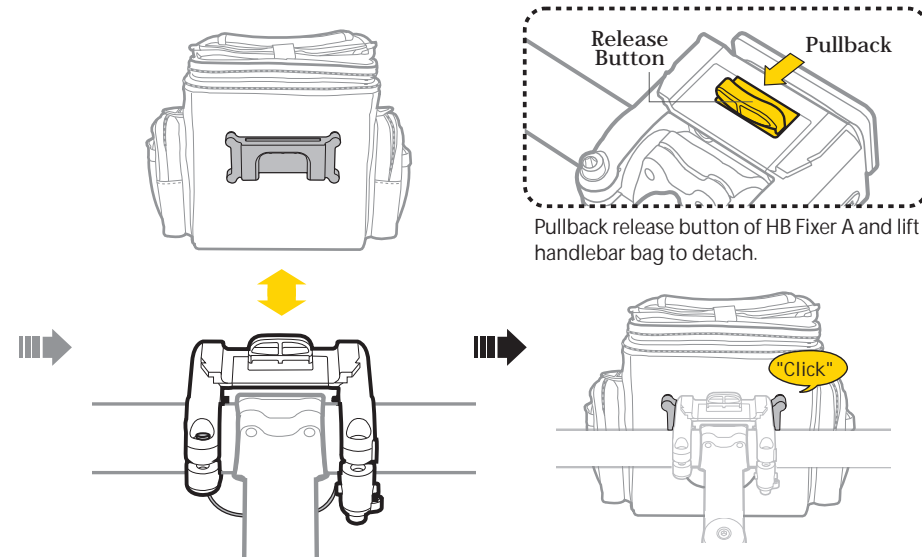
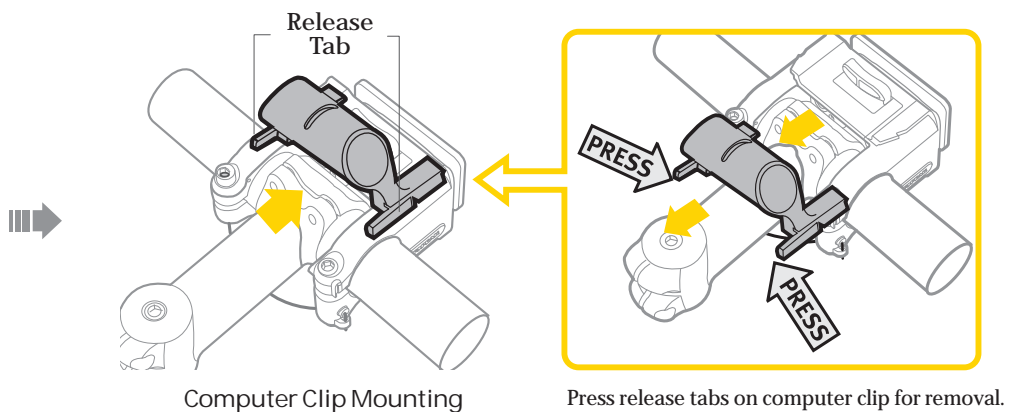
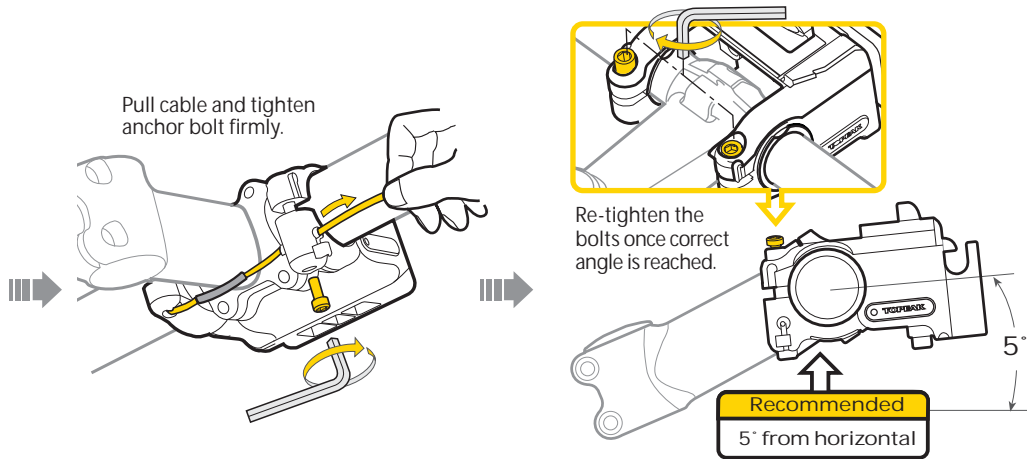
Tighten the bolts.
(Do not tighten completely.)



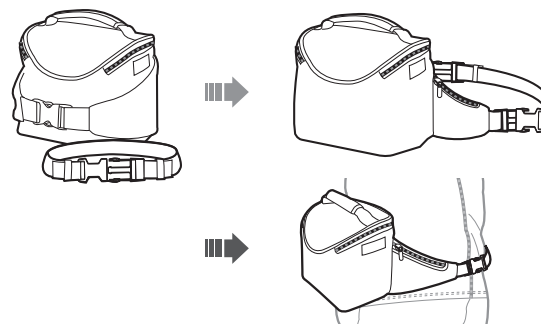
M5 x 20L Bolt



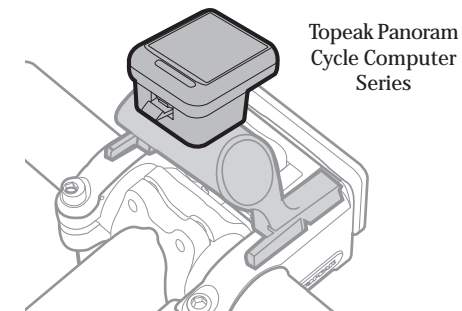
Add cable housing over the security cable to protect the stem from marring. Trim excess cable housing.



Compact Bag used as Fanny Pack



Optional Accessory to mount on computer clip



WARRANTY

2-year Warranty: All mechanical components against manufacturer defects only.
 Warranty Claim Requirements
 To obtain warranty service, you must have your original sales receipt. Items returned without a sales receipt will assume that the warranty begins on the date of manufacture. All warranties will be void if the product is damaged due to user crash, abuse, system alteration, modification, or used in any way not intended as described in this manual.

* The specifications and design are subject to change without notice.

Please contact your Topeak dealer with any questions.
 For USA customer service call: 1-800-250-3068
 Website: www.topeak.com

Copyright © Topeak, Inc. 2011

SPARE PART

