



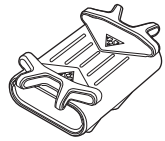
SMARTPHONE HOLDER WITH POWERPACK 7800mAh DUAL PORT

USER'S GUIDE

GB

INCLUDED PARTS

Smartphone Holder



7800mAh Dual USB Ports PowerPack



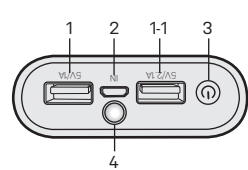
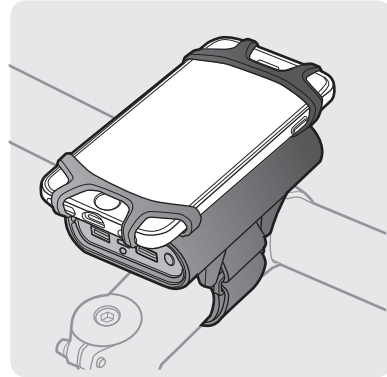
USB - Micro USB Cable



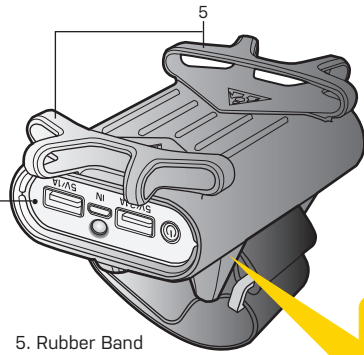
Wire Collector



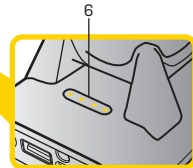
Hook-and-Loop Fastener Fits \varnothing 22.2 - \varnothing 40 mm Tube



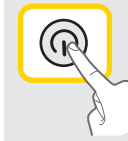
1. USB Output Port (5V/1A)
- 1-1. USB Output Port (5V/2.1A)
2. Micro USB Input Port
3. Indicator/ Power Button
 - For checking battery power level.
 - For turning on PowerPack to charge your smartphone
4. LED Light
 - Press and hold Power Button for 3 seconds to turn LED Light on and off



5. Rubber Band
 - Fits 4.5"-5.5" screen smartphones
6. Battery Level Indicator



TURN ON/OFF POWERPACK



- Turn On : Press
- Automatic Turn Off :
The PowerPack will automatically turn off after 15 seconds if no devices are connected.

BATTERY LEVEL INDICATOR

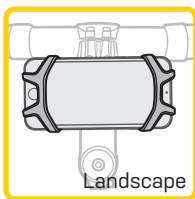
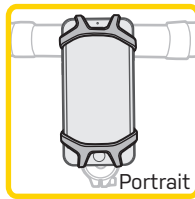


SPECIFICATION

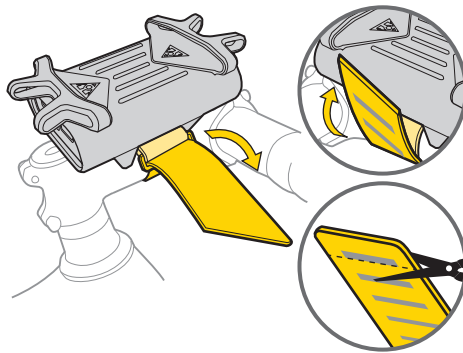
Battery: 7800 mAh Li-Ion
 Charge: Micro USB
 Input Charge Time (approx): 8-12hrs.
 Output: Dual USB ports / DC 5V 1A / 2.1A
 Input: Micro USB / DC 5V 1A
 Operating Temperature: 0°C ~ 35°C (32°F ~ 95°F)
 Storage Temperature: -5°C ~ 45°C (23°F ~ 113°F)
 Power Indicator: 4 LED's
 Weight: 280 g / 9.87 oz
 Certificate: CE / FCC / RoHS / BSIM

INSTALLATION

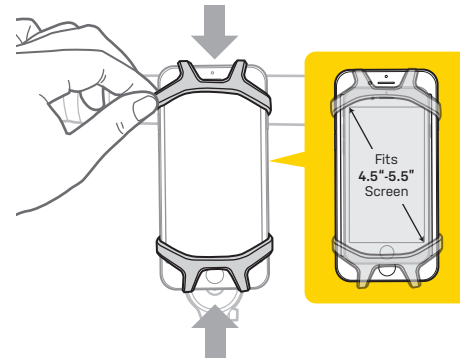
1 Choose Portrait or Landscape to install the Hook-and-Loop Fastener as shown.



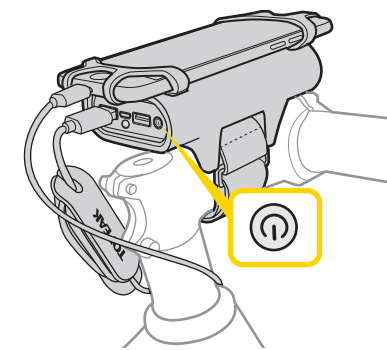
2 Install Smartphone Holder with PowerPack on top of the Stem and fasten the strap. Trim excess strap.



3 Place your smartphone into the rubber bands and adjust each rubber band to ensure they do not restrict access to and/or operation of the smartphone buttons.



4 Connect a charge cable to your device and PowerPack. Press Indicator / Power Button to charge the device.



Note:

- Not recommended to use PowerPack on rainy days.
- Do Not Use if there is damage to SmartPhone Holder or PowerPack.
- For safety reasons, do not operate this device while riding.

- This PowerPack does not include a Lightning charge cable for iPhone or proprietary charge cables for other mobile phones.
- Use your original charge cable and fasten the cable securely with supplied Wire Collector.
- Make sure the charge cable and Wire Collector do not restrict turning movement of stem.

SPARE PARTS

sold separately

Smartphone Holder & Hook-and-Loop Fastener



Art No. TRK-PAN008

USB - Micro USB Cable



Art No. TRK-PAN004

Wire Collector



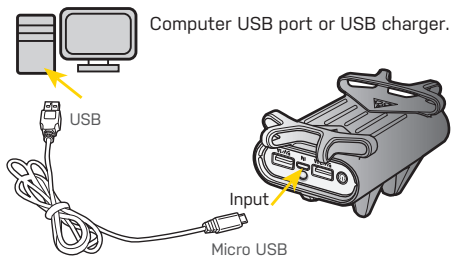
Art No. TRK-PAN005

BATTERY CHARGING

Connect Micro USB Cable to PowerPack and computer USB port, or USB charger to charge PowerPack.

Charging Time (approx)
8-12 hours

- Charging and operating times may vary depending on ambient temperature and power source.



WARNING

- Do not charge battery in a damp or dusty location or areas affected by oil fumes or steam.
- Do not charge battery on carpet, fabric materials or near a heater or in direct sunlight.
- Do not disassemble or modify the battery case.
- Do not connect or disconnect USB charging cord with wet hands as you may risk fire and/ or electric shock.
- Do not leave battery connected to charger over 48 hours continuously.
- Do not insert metal parts into the terminal.
- It is normal for the battery charger and battery to become hot during charging. Please use caution when charging battery.

Power Indicator	Battery Power Level
☀ ● ● ●	0 ~ 25%
● ☀ ● ●	25 ~ 50%
● ● ☀ ●	50 ~ 75%
● ● ● ☀	75 ~ 100%

The blue LED's will blink when charging and will stop blinking when battery is fully charged.

CAUTION

1. This PowerPack is not waterproof never intentionally submerge it under water or connect to smartphone when it's raining.
2. If PowerPack is dropped, battery case may be cracked and a short circuit may occur. Replace PowerPack immediately.
3. If the PowerPack body or parts become dirty, clean gently with a soft damp cloth using mild soap. Never use harsh chemicals to clean PowerPack or allow moisture to contact terminals.
4. When connecting and disconnecting the plug and socket, hold the connector ends only. Do not attempt to connect or disconnect the plug/ socket interface by pushing or pulling on wires or serious damage to wires and connectors will occur.
5. After long periods of non-use, the battery will lose charge. Always charge the battery fully before each use and storage.
6. Maintain the battery by charging it every two months and storing it in a cool, dry place to prevent from decreasing its lifespan. 3 to 5 charging cycles are needed to attain full capacity after a long period of non-use.
7. Safely and properly dispose of old Li-ion batteries according to your local regulations.
8. Topeak does not take any responsibility for any lost information on device of any kind and will not reimburse you for any such loss.
9. Keep out of reach of children.
10. Pacemaker users should never use this device.
11. If the Power Indicator does not work after pressing the power button, please recharge the battery immediately.

WARRANTY

1-year Warranty: All mechanical components (body, covers and fasteners) against manufacturer defects only.

90-day Warranty: All batteries and cables against manufacturer defects only.

Warranty Claim Requirements

To obtain warranty service, you must have your original sales receipt. Items returned without a sales receipt will assume that the warranty begins on the date of manufacture. All warranties will be void if the product is damaged due to user crash, abuse, system alteration, modification, or used in any way not intended as described in this manual.

* The specifications and design are subject to change without notice.

Please contact your Topeak dealer with any questions.
 For USA customer service call: 1-800-250-3068
www.topeak.com

Copyright © Topeak, Inc. 2015

