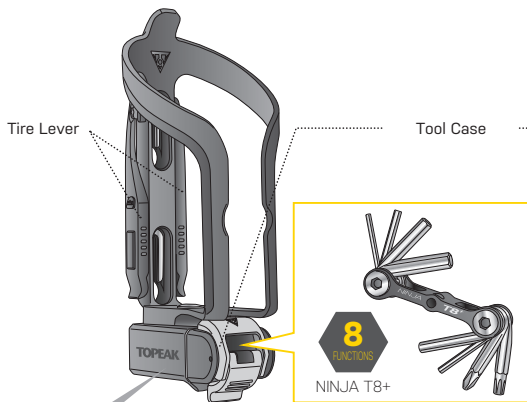




NINJA TC ROAD with TIRE LEVER & NINJA T8+

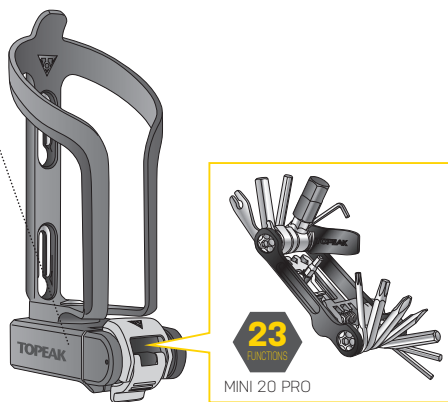
Art No. TNJ-TCR



Also Fits: MINI 10 (TT2557)

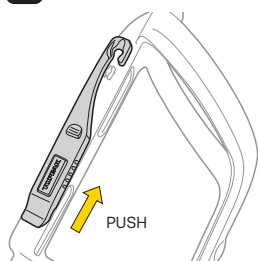
NINJA TC MOUNTAIN with MINI 20 PRO

Art No. TNJ-TCM

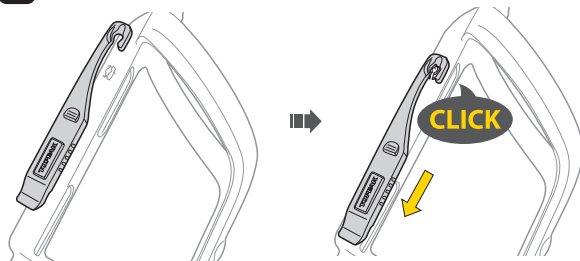


TIRE LEVER (NINJA TC ROAD ONLY)

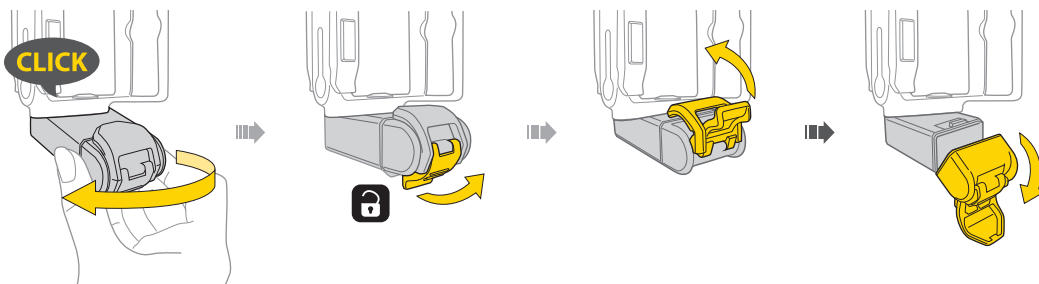
RELEASE



INSTALL

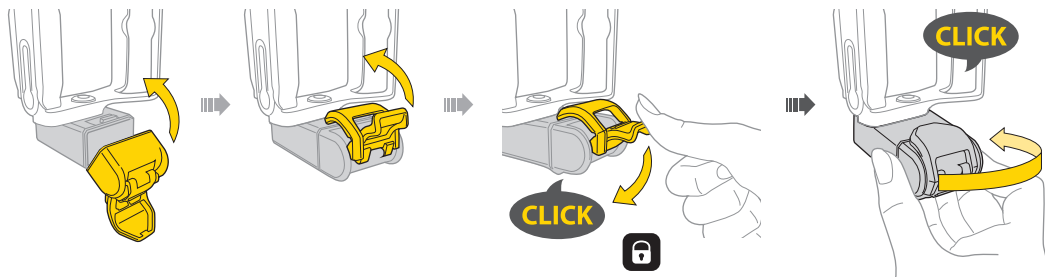


HOW TO OPEN THE CASE



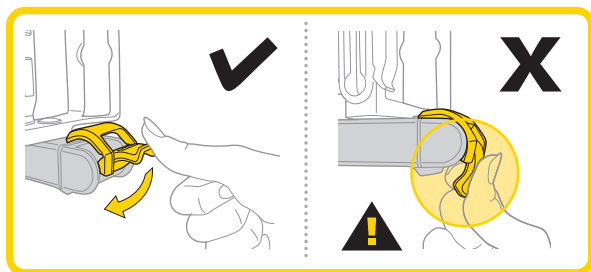


HOW TO CLOSE THE CASE

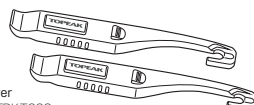


WARNING

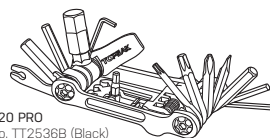
- 1 Periodically check that Ninja TC components are still securely fastened to your bike.
- 2 Lubricate and maintain tool with Teflon® based lubricant as needed. To prevent rusting, keep tool dry.
- 3 Avoid bodily harm when closing the tool case.



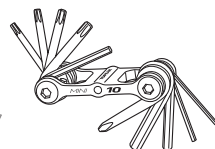
SPARE PARTS



Tire Lever
Art no. TRK-T086



MINI 20 PRO
Art no. TT2536B (Black)
TT2536GD (Gold)
TT2536S (Silver)



MINI 10
Art no. TT2557

WARRANTY

2-year Warranty: All mechanical components against manufacturer defects only.

Warranty Claim Requirements

To obtain warranty service, you must have your original sales receipt. Items returned without a sales receipt will assume that the warranty begins on the date of manufacture. All warranties will be void if the product is damaged due to user crash, abuse, system alteration, modification, or used in any way not intended as described in this manual.

* The specifications and design are subject to change without notice.

Please contact your Topeak dealer with any questions. For USA customer service, call: 1-800-250-3068

www.topeak.com