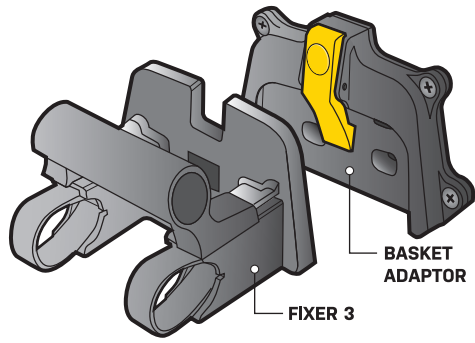




# FIXER 3 WITH BASKET ADAPTOR

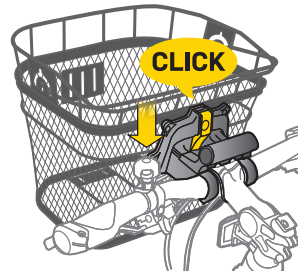
PREPARE TO RIDE

EN DE FR ES IT PL JP KR CH



BASKET ADAPTOR PARTS	
	M5 x 13mm
FIXER 3 PARTS	
	M5 x 25mm Security Cable

Tool Required : 3 & 5 mm Allen keys



Fits  $\varnothing 25.4\text{mm}$  &  $\varnothing 31.8\text{mm}$  handlebars

QuickClick Release Button



PRESS to release

Zum Abnehmen DRÜCKEN  
Appuyer Pour Libérer  
Pulsar para saltar  
PREMERE per rilasciare  
NACISNJ aby zwolnić

押して取り外す  
분리하려면 누르기  
按壓卸除紐來卸除  
購物籃

## INSTALLATION

MONTAGE / INSTALLATION / INSTALACIÓN / INSTALLAZIONE / MONTAŻ / 取付方法 / 설치하기 / 安裝步驟說明

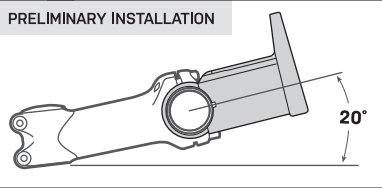
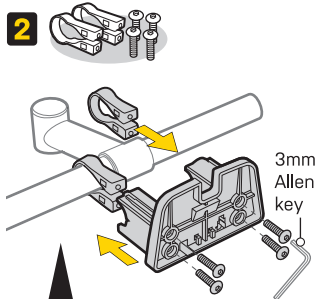
### FIXER 3

1

OPTION A ( $\varnothing 31.8\text{mm}$ )

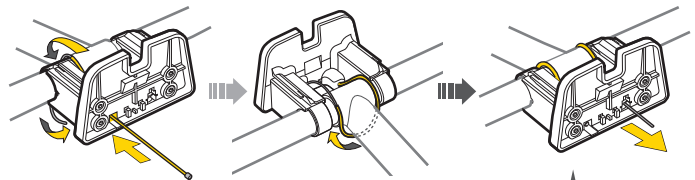


OPTION B ( $\varnothing 25.4\text{mm}$ )

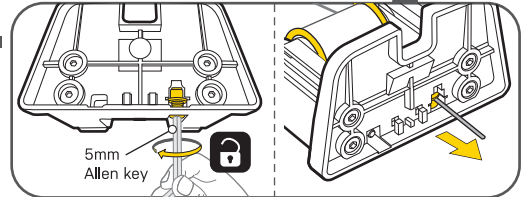


Tighten the bolts.  
(Do not tighten completely.)  
Schrauben leicht anziehen.  
Serrer les vis.  
(Ne pas serrer complètement.)  
Apretar tornillos.  
(No apretar completamente.)  
Stringere le viti.  
(Non stringere completamente.)  
Dokreć śruby.  
(Nie dokrećaj zupełnie.)  
ボルトを仮留めします。

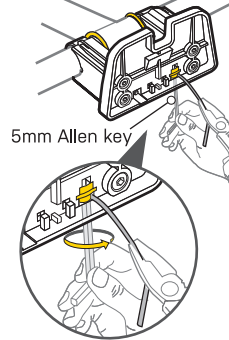
볼트를 조여주십시오.  
(완전하게 팍 조이지  
마십시오.)  
鎖緊螺絲 (請勿  
完全鎖緊)。



5 mm Inbus®-Schlüssel  
Clés Allen de 5mm  
Llave Allen de 5mm  
Brugola 5mm  
Imbusy 5mm  
5mm 六角レンチ  
5mm 육각 렌치  
5mm 六角扳手

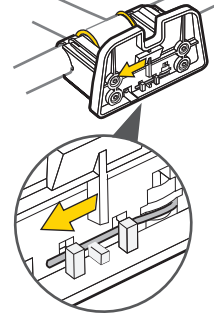


4



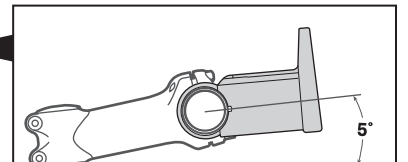
**TIGHTEN**  
Recommended Torque  
**4Nm**

5



**TIGHTEN**  
Recommended Torque  
**2Nm**

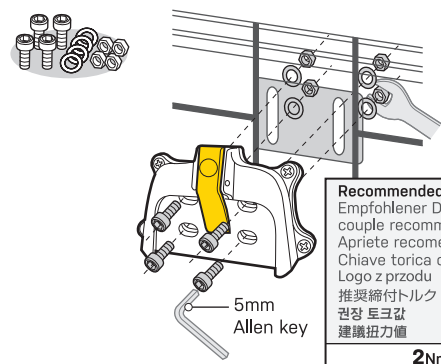
Tighten bolts evenly.  
Schrauben gleichmäßig  
festziehen.  
Serrez les boulons uniformément.  
Apretar los tornillos de manera uniforme.  
Stringere i bulloni uniformemente.  
Równomiernie dokreć śruby.  
各ボルトを均等に締めてください。  
볼트를 균일하게 조이십시오。  
平均施力的鎖固螺絲。



**Recommended Empfehlung Recommendation Recomendación Raccmandato Zalecane 推奨角度 권장각도 建議安裝角度**

5° from horizontal (Final Installation)  
5° von der Horizontalen (finale Montageposition)  
5° par rapport à l'horizontale (Installation finale)  
5° en horizontal (Instalación definitiva)  
5 gradi rispetto alla posizione orizzontale (Montaggio finale)  
5° od poziomu (Końcowy montaż)  
水平より5°上 (最終的存角度)  
수평에서 5° 상향 (최종 설치시)  
距離水平面 5° (最終安裝)

### BASKET ADAPTOR

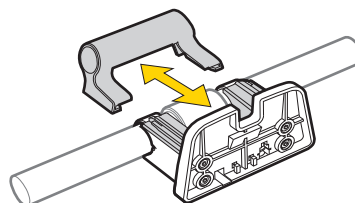


**Recommended Torque**  
Empfohlener Drehmoment  
couple recommandé  
Apretre recomendado  
Chiave torica consigliata  
Logo z przodu  
推奨締付トルク  
권장 토크값  
建議扭力值

5mm Allen key

**2Nm**

### COMPUTER MOUNT CLIP



### WARRANTY

2-year Warranty against manufacturer defects only.  
**Warranty Claim Requirements**  
To obtain warranty service, you must be the original owner and provide proof of purchase. Items returned without a sales receipt will assume that the warranty begins on the date of manufacture. All warranties will be void if the product is damaged due to user crash, abuse, system alteration, modification, or used in any way not intended as described in this manual.  
\* The specifications and design are subject to change without notice.  
**Please contact your Topeak dealer with any questions.**  
For USA customer service, call: 1-800-250-3068  
[www.topeak.com](http://www.topeak.com)

Copyright © Topeak, Inc.

TC3003\_ML\_ML 2022/03