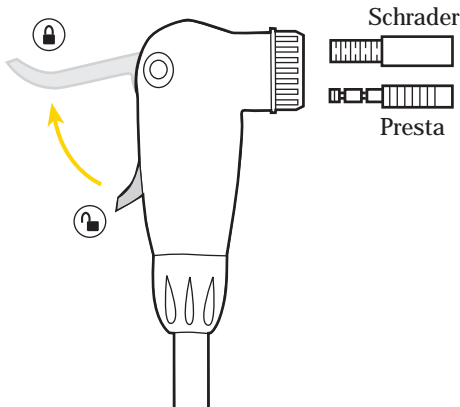


1. SmartHead Set
  - 1a. SmartHead
  - 1b. SHI Hose Connector (M8 x 1.0mm)
  - 1c. Rubber Hose
2. Connector A (M12 x 1.0mm)
3. Connector B (M8 x 1.0mm)
4. Connector C (M8 x 0.75mm)
5. HCI Hose Connector
6. Stainless Steel Clamp
7. Connector D



**Note:**  
Use Teflon tape or grease on the connector threads before installation.

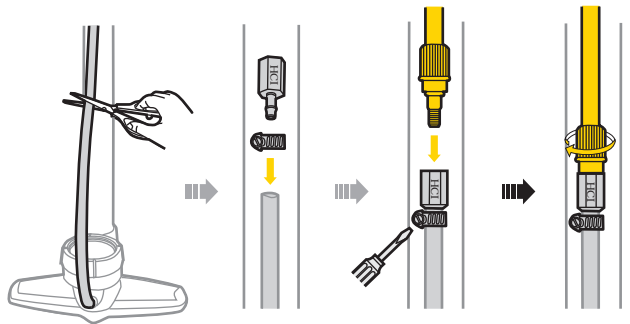
**LIMITED WARRANTY**  
2-year Warranty: All mechanical components against manufacturer defects only.

**Warranty Claim Requirements**  
To obtain warranty service, you must have your original sales receipt. Items returned without a sales receipt will assume that the warranty begins on the date of manufacture. All warranties will be void if the items are damaged due to user abuse, system alteration, modification, or used in any way not intended as described in this operating manual.

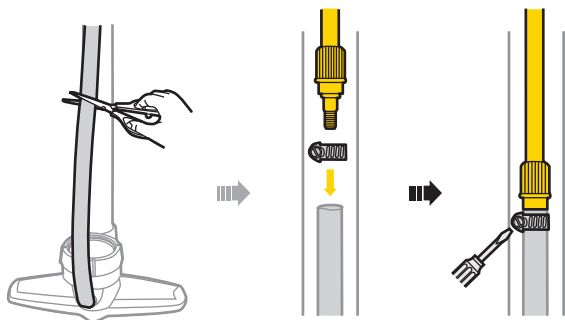
\* The specifications and design are subject to change without notice.

Topeak products are available only from professional bicycle shops. Please contact your nearest Topeak authorized bicycle dealer for any questions. For customers in the USA, call: 1-800-250-3068, Website: www.topeak.com

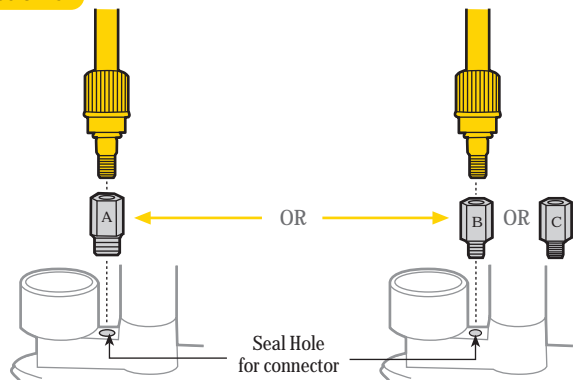
### Option A



### Option B



### Option C



### Option D For Topeak JoeBlow Sport floor pump

