



Suspension Child Carrier



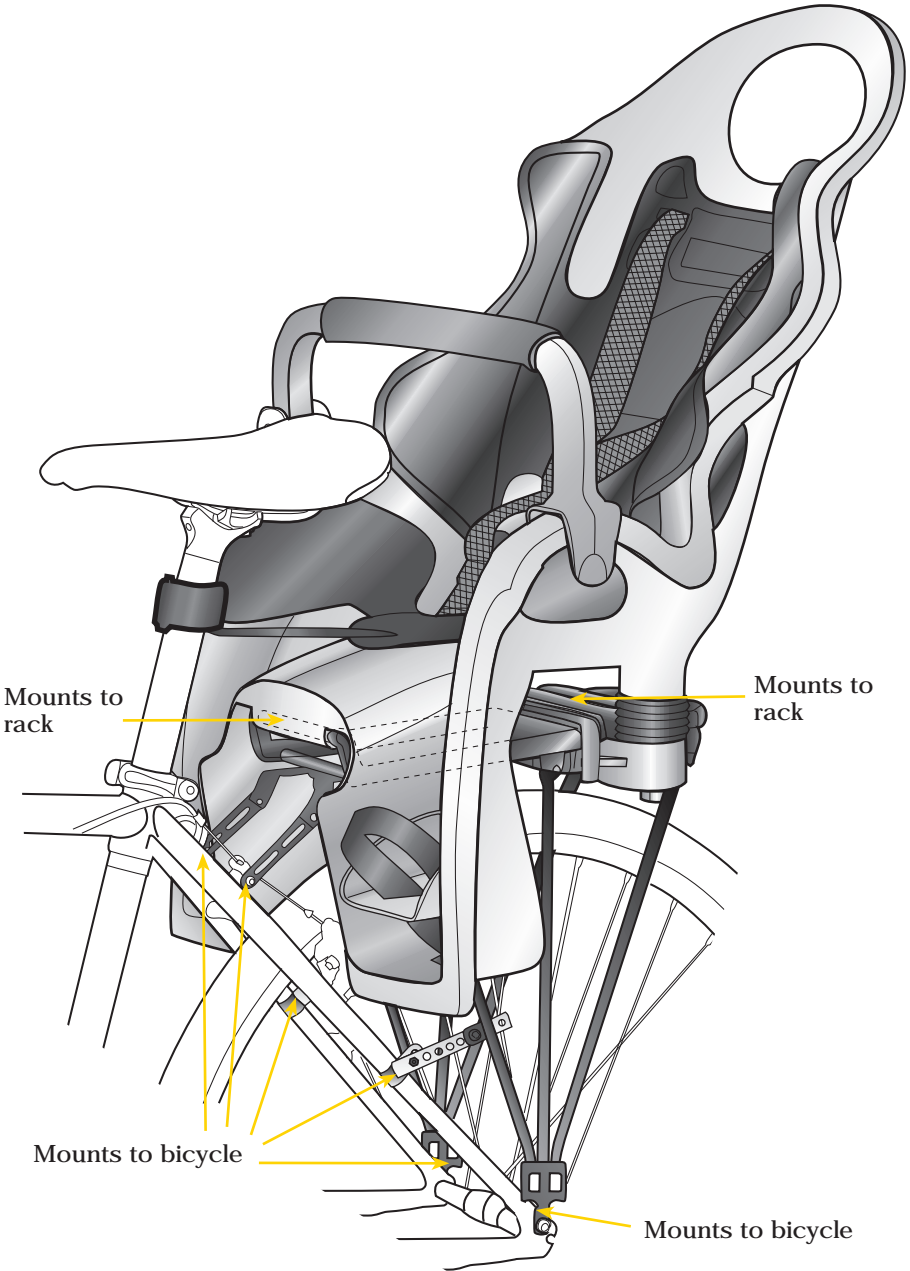
It is recommended a professional bicycle shop assemble and install the BabySeat to your bike.

It is imperative that you read this owner's manual prior to installation.

TOOLS REQUIRED FOR ASSEMBLY:
5mm Allen Key, 8mm Box Wrench and Philips Screwdriver

Table of Contents

Getting To Know Your Topeak BabySeat	4
Mounting Rack To Bicycle	6
Mounting BabySeat To Rack Surface	8
Securing BabySeat To Seat Post	9
Installing Grab Bar	10
Adjusting Height Of Footrests	11
Fitting Your Child In BabySeat	12
Caution Notes	14



Getting To Know Your Topeak BabySeat

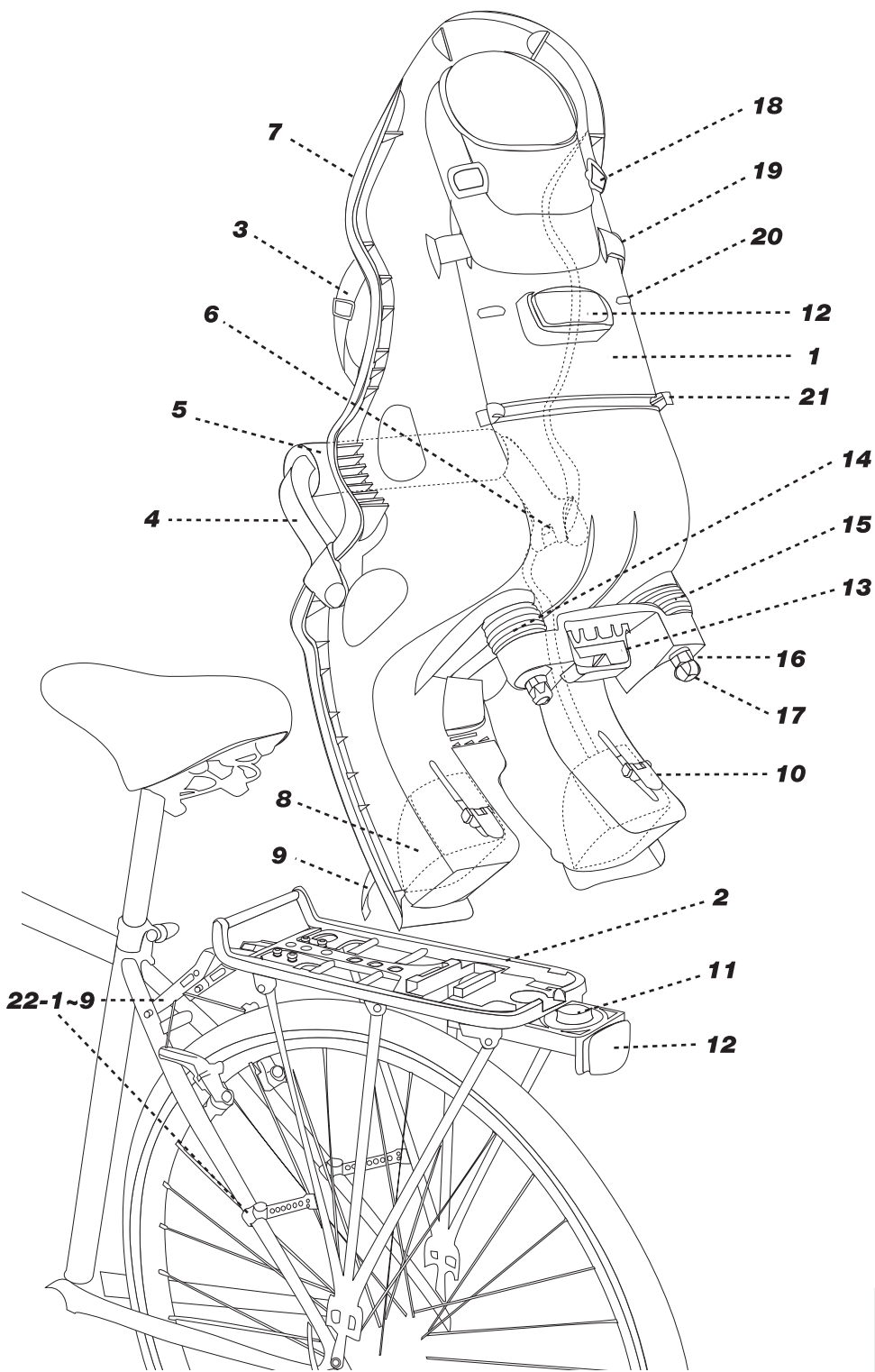
These pages will help you to identify the different parts of your Topeak BabySeat.

ILLUSTRATED PARTS LIST:

- | | |
|---------------------------------------------|-------------------------------------------------|
| 1. SEAT (1) | 17. LOCK NUT (2) |
| 2. RACK (1) | 18. SECURING BUCKLE |
| 3. HARNESS SYSTEM (1) | 19. BACK LOOP |
| 4. GRAB BAR (1) | 20. LOWER HOLE |
| 5. GRAB BAR PAD (1) | 21. BACK HOOK |
| 6. GRAB BAR FIXER (1) | 22. HARDWARE FOR RACK |
| 7. SEAT PAD (1) | 22-1. L type bracket (2) |
| 8. FOOTRESTS (2) | 22-2. 22mm length bracket (2) |
| 9. FOOT STRAPS (2) | 22-3. 70mm length bracket (2) |
| 10. QUICK ADJUST LEVER
FOR FOOTRESTS (2) | 22-4. 150mm length bracket (2) |
| 11. SLIDE LOCK WITH BUTTON (1) | 22-5. M5 x 13mm bolt (14)
M5 x 25mm bolt (2) |
| 12. REFLECTOR (2) | 22-6. Nylon nut (12) |
| 13. SHOCK ABSORBING BASE (1) | 22-7. Seatstay bracket (2) |
| 14. STAINLESS STEEL SPRING (2) | 22-8. Clamp for seatstay bracket (2) |
| 15. SPRING BARREL (2) | 22-9. washer (12) |
| 16. SPRING ADJUSTING NUT (2) | 23. "T" TYPE STRAP |
-

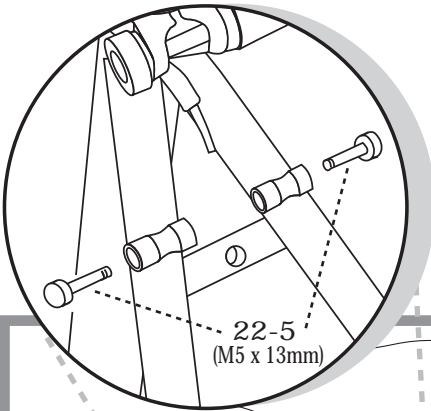
MAINTENANCE:

Please use mild soap and water to clean BabySeat. Seat pad, safety harness and grab bar pad should be hand washed only. Occasionally lubricate rack and BabySeat hardware with Teflon based lubricant.

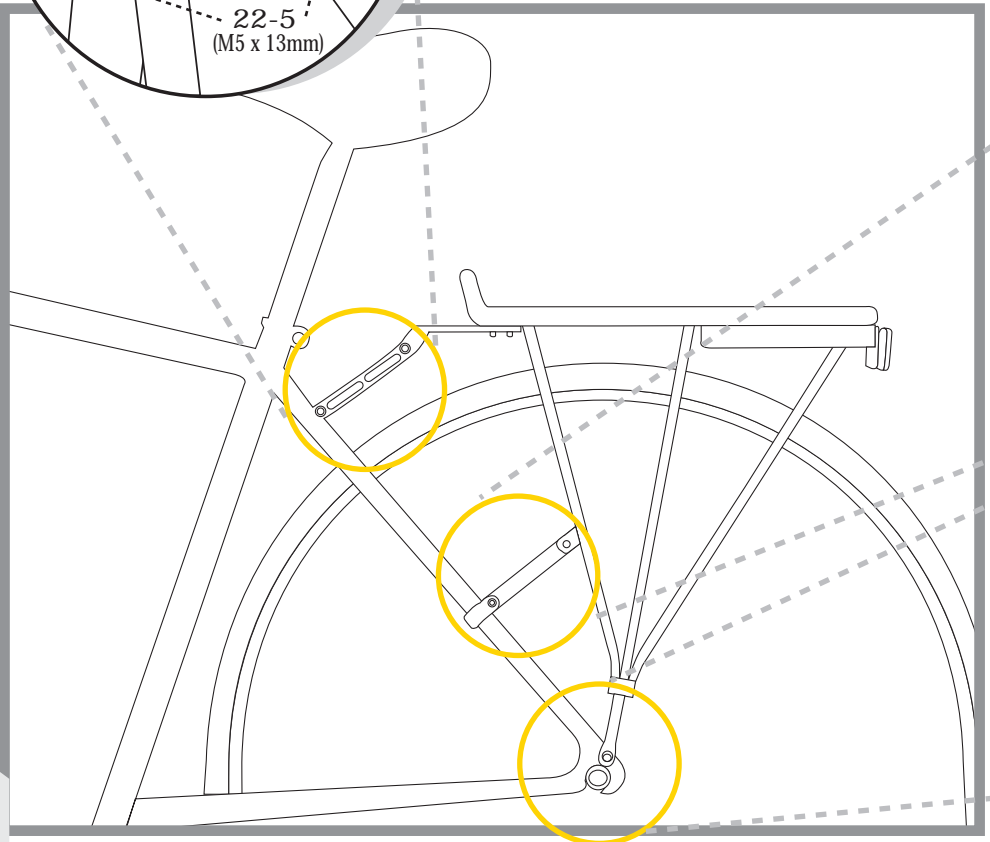


Mounting Rack To Bicycle

Follow these illustrations for mounting rack to bicycle. Make sure rack is level with ground before tightening hardware. Several adjustments are available to help level rack.

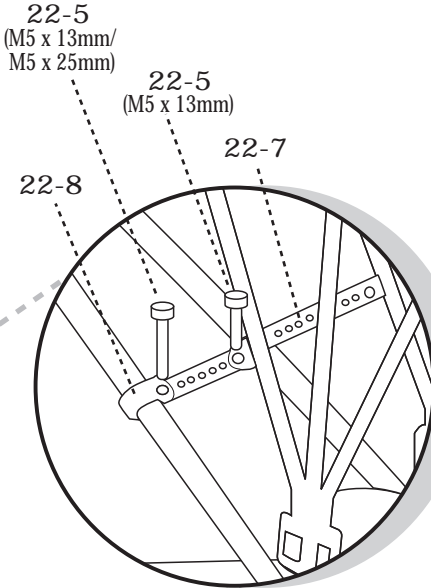
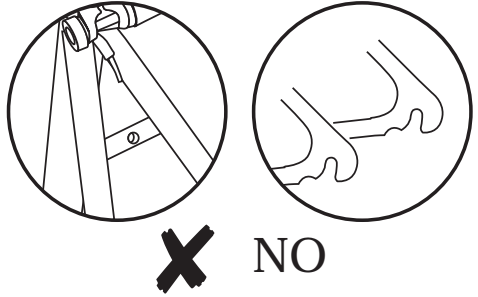


Slide rack hardware forward or back to determine correct positions before tightening Philips screws on rack surface.



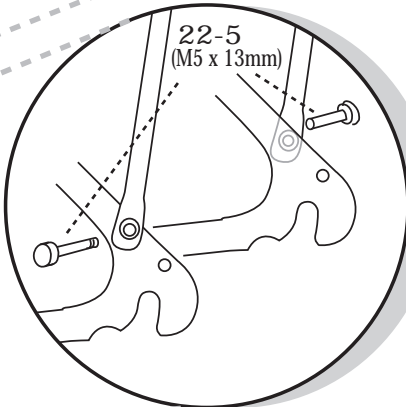
CAUTION

The Topeak BabySeat is designed to work on frames with seatstay rack mounts AND threaded dropout eyelets only. Do not use the Topeak BabySeat on frames without these fittings for safety reasons.



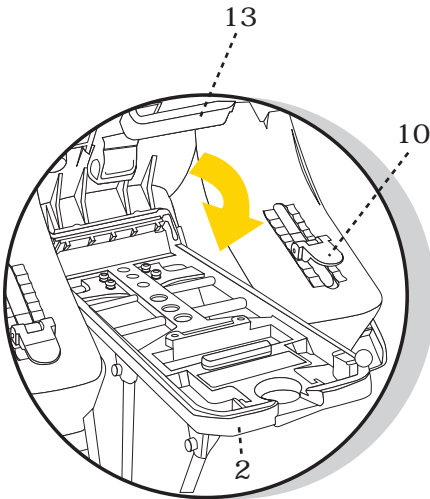
Securing Center Bracket To Rear Stay

Use adjustable bracket to attach rack to bicycle. Several adjustments are available to ensure that rack surface is level.

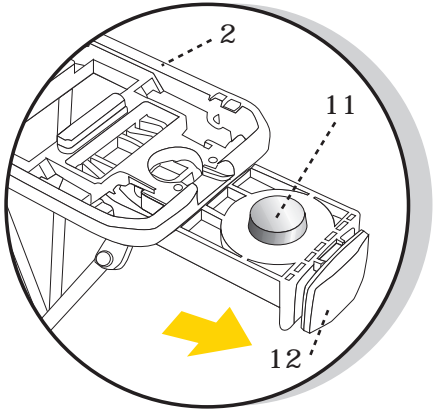


Attach base of rack strut to frame rear dropout. Most frame dropouts provide more than one mounting point.

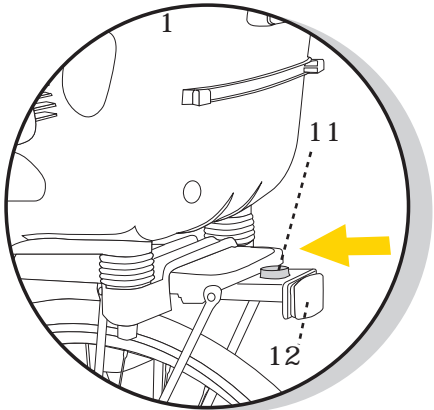
Mounting BabySeat To Rack Surface



Hook seat onto front rail of rack. Rotate seat down on rack surface until snapped into positive engagement.



Disengage slide lock by pressing red button and pulling back away from rack.



Press red button and push slide lock back into rack until positive engagement "click" is heard and red button is protruding through hole in rack surface.

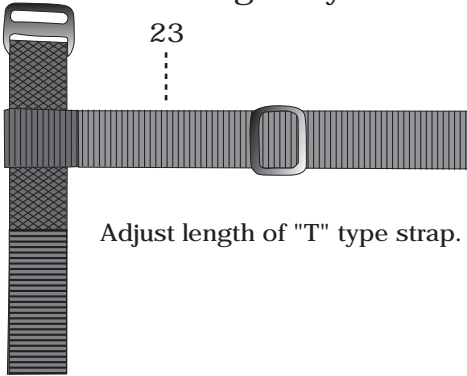


CAUTION

- If sliding lock fails to slide into rack or if red button does not protrude through the rack surface the installation is incorrect.
 - If your saddle has exposed springs, please cover springs adequately to prevent pinching child passenger.
 - Never modify BabySeat or rack from their original specifications.

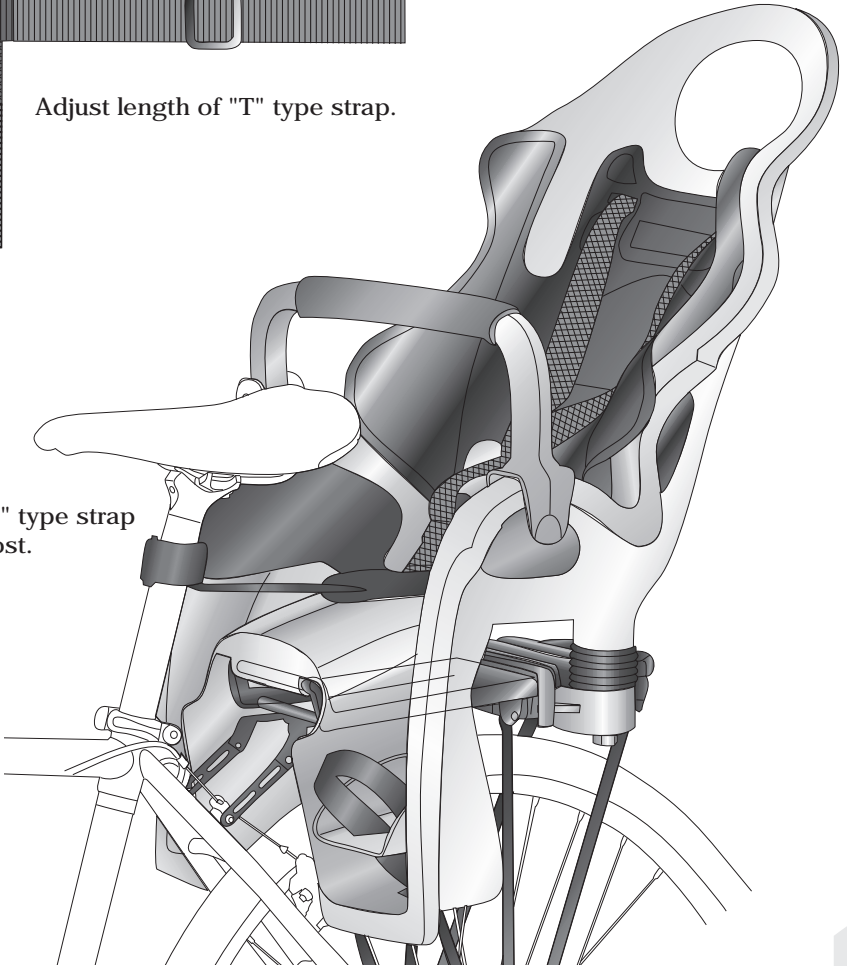
Securing BabySeat To Seat Post

"T" type loop and hook strap is a safety device designed to connect BabySeat and seat post. Please be sure to fasten it to seat post immediately after mounting BabySeat on rack. The "T" strap should only be disconnected from seat post if removing BabySeat from rack.



Adjust length of "T" type strap.

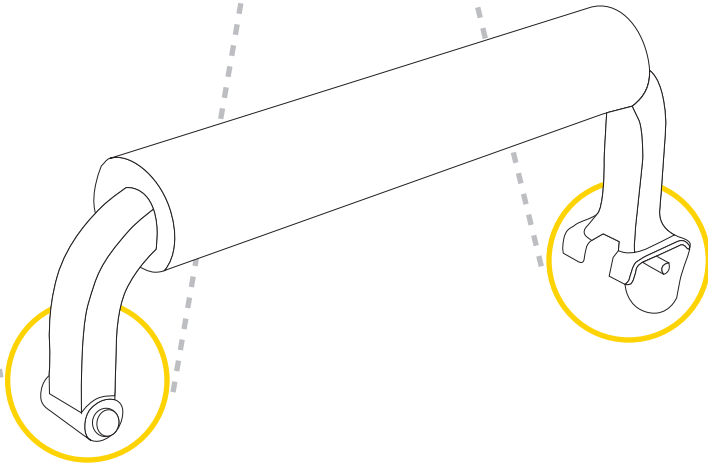
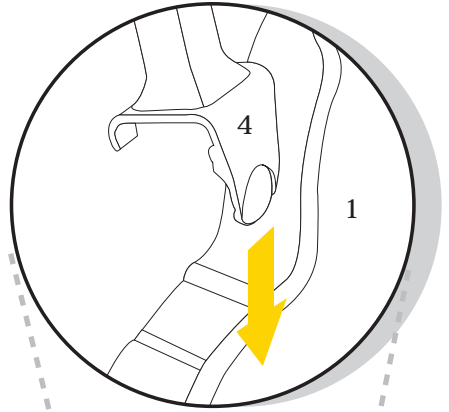
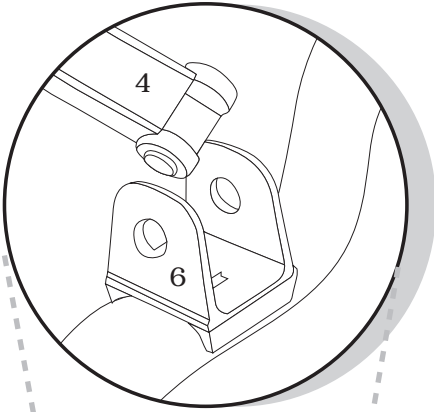
Fasten "T" type strap to seat post.



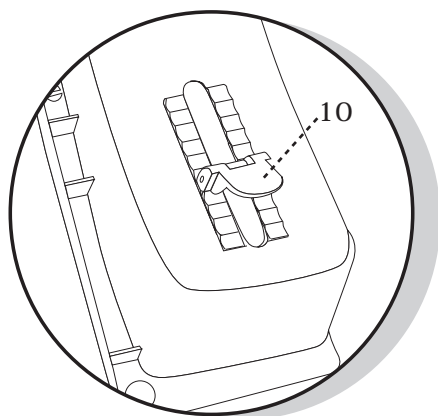
Installing Grab Bar

Twist pivoting end of grab bar into mounting bracket as shown.

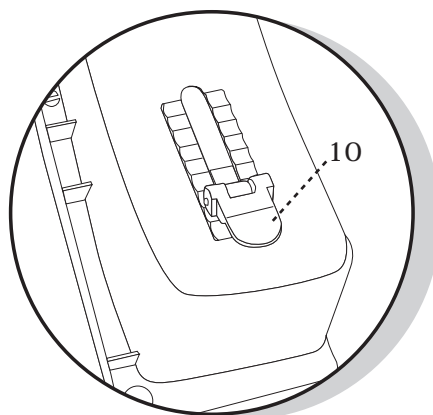
Pivot grab bar down and snap open end over edge of seat as shown.



Adjusting Height of Footrests



Lift lever to adjust height of footrests.



Push lever down to lock.



CAUTION

NEVER LEAVE CHILD IN BABYSEAT WITH ONLY THE KICKSTAND SUPPORTING THE BICYCLE.

Have someone help support bicycle while placing child in BabySeat. Place child in comfortable position in BabySeat. Adjust and fasten safety harness over child.

Note position of child's feet and legs. Remove child from BabySeat and adjust footrests as necessary.

Fitting Your Child In BabySeat

Adjust shoulder harness properly to fit your child.



✓ OK



✗ NO

Shoulder Straps Too High.



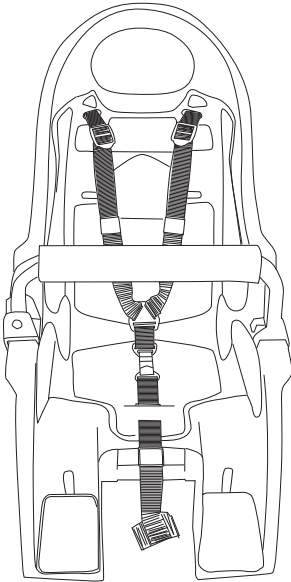
✓ OK



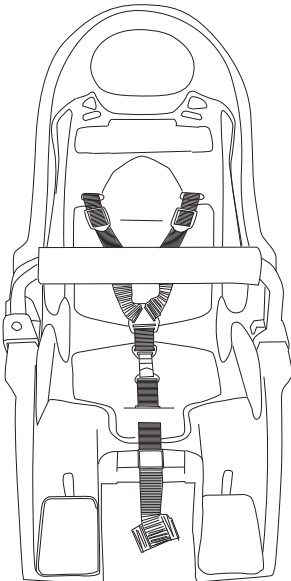
✗ NO

Shoulder Straps Too Low.

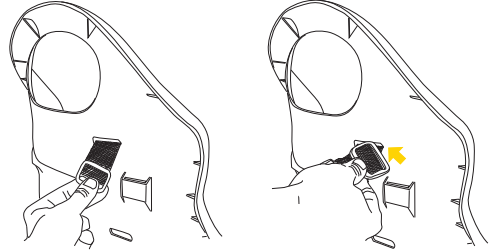
BabySeat shoulder buckle straps adjust in a high or low position. Make sure they are in the correct position for your child's size.



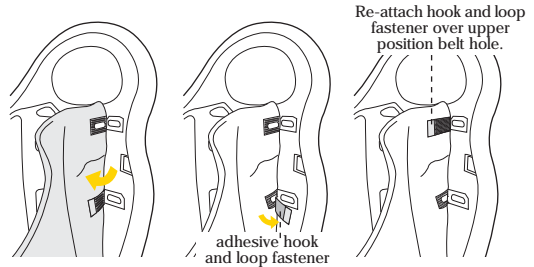
High Position



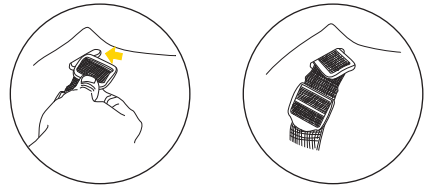
Low Position



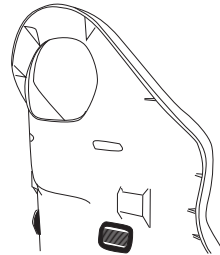
Release the buckle strap from back side.



Remove adhesive hook and loop fastener from the seat pad lower position and move to upper position to cover belt hole.



Assemble the buckle strap from front side.



CAUTION


Make sure the buckle straps are assembled correctly on the back side of BabySeat as shown above.



CAUTION



1. Carry only a child who is able to hold his/her head up while wearing a correctly sized bicycle helmet. The age and weight limits for the BabySeat rack are 1~4 years old, and 20lbs ~ 40lbs (9kgs ~ 18kgs) respectively. Never exceed these limits.
2. Bicycle operator's age must be at least 18 years old.
3. The load of a baby carrier may lessen the stability and alter the riding characteristics of the bicycle, particularly regarding steering and braking.
4. Make sure bicycle is stable and under control when loading and unloading child.
5. This baby seat system is not compatible with rear suspension bikes or bikes equipped with disc brakes.
6. The bicycle to which the BabySeat and rack is mounted must be in good working order, of a type appropriate for the additional load, and of proper size and adjustment for the operator. See bicycle owner's manual for additional bicycle loading information. Make sure not to overload your bicycle when using the BabySeat and rack, and make sure not to attach additional luggage or accessories to the rack.
7. BabySeat rack is designed for use on 26" wheel and 700C wheel bicycles only. It's compatible with Topeak BabySeat only.
8. Bicycle operator and child should always wear helmets which have been approved by nationally recognized standards.
9. The bicycle operator should avoid busy streets, bad weather and ride with extra care and reduced speed.
10. Make sure BabySeat safety harness is fastened correctly and firmly over child.
11. Never leave child alone unattended in BabySeat.
12. Never leave child in BabySeat with only the kickstand supporting the bicycle.
13. When walking bicycle with child in BabySeat, hold rack with one hand and hold handlebar with the other.

4. Tighten fasteners securely before each use and check them frequently.
15. Before each ride, ensure the mounted BabySeat does not interfere with braking, pedaling, or steering of the bicycle.
16. Do not allow any of the child's body, clothing, shoe laces, or toys to come in contact with moving parts of the bicycle.
17. Make no modifications to the BabySeat and rack.
18. Never ride the bicycle at night without adequate lighting.
19. Always remove BabySeat from the rack when the bicycle is being transported on a motor vehicle. This is necessary because the force of the high wind on BabySeat may degrade or damage BabySeat or the rack to the point that they will not perform reliably.
20. Presence of a child carrier on a bicycle may require alteration of the method used by the rider to mount or dismount the bicycle. Care must be taken whenever the rider gets on or off the bicycle.
21. Don't use the BabySeat if any part is broken.
22. Ensure that there are no sharp objects which the child can touch, e.g. frayed cables.
23. When no child is being carried, fasten the retention system buckles so the straps do not hang loosely.
24.  Failure to comply with these operating instructions can lead to serious injury or death of the bicycle operator and/or child.

WARNING

LIMITED WARRANTY

2-year Warranty: All mechanical components against manufacturer defects only.

Warranty Claim Requirements

To obtain warranty service, you must have your original sales receipt. Items returned without a sales receipt will assume that the warranty begins on the date of manufacture. All warranties will be void if the BabySeat is damaged due to user crash, abuse, system alteration, modification, or used in any way not intended as described in this operating manual.

** The specifications and design are subject to change without notice.*

Topeak products are available only from professional bicycle shops.

Please contact your nearest Topeak authorized bicycle dealer for any questions.

For customers in the USA, call: 1-800-250-3068 Website: www.topeak.com

BabySeat



1 Press button



2 Pull out slide lock



3 Lift off BabySeat



Topeak products are available only from professional bicycle shops.

Please contact your nearest Topeak authorized bicycle dealer for any questions.

Website : www.topeak.com